

IASO®

Better Outside

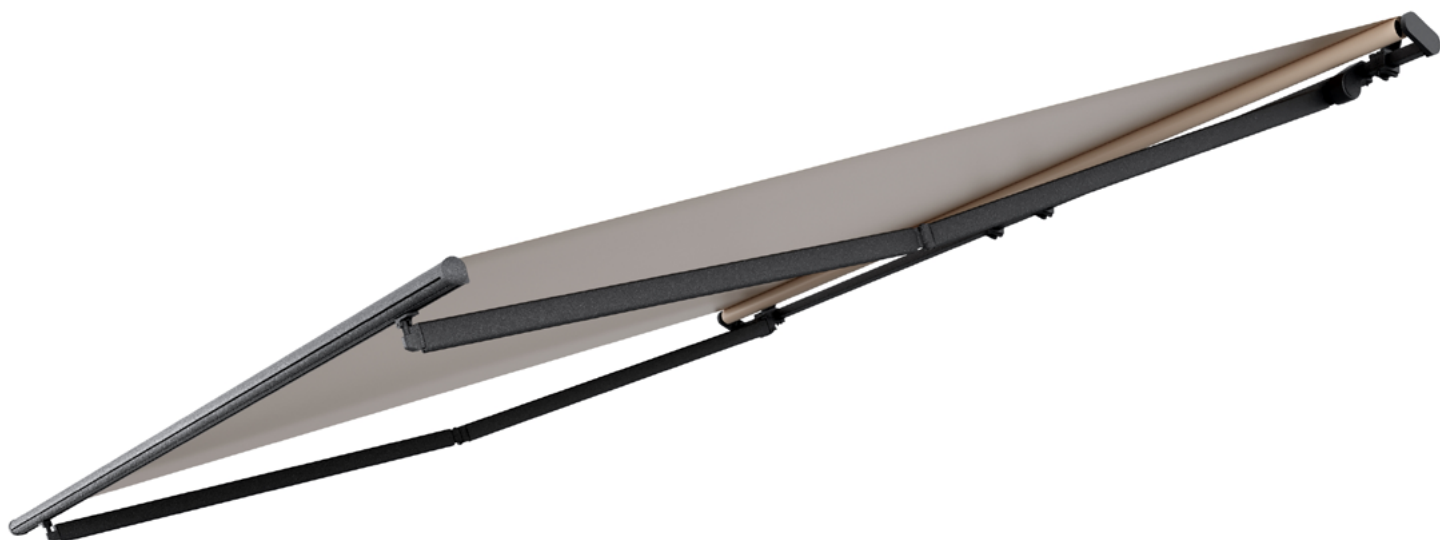
TECHNICAL DATA SHEET

ENGLISH

AWNING

WITHOUT BOX

AUREA LITE



INDEX	—	02 DESCRIPTION
		02 TECHNICAL CHARACTERISTICS
		02 DIMENSIONS
		02 MAIN MATERIALS
		02 INSTALLATION OPTIONS
		02 LIGHTING
		03 SUPPORT DIMENSIONS
		03 PROJECTION DIAGRAM
		04 EXPLODED VIEW
		05 PRODUCT CLASSIFICATION
		05 KNOWLEDGE SOURCES
		05 WIND CLASSIFICATION
		05 PRECIPITATION CLASSIFICATION
		06 MOTOR COMPATIBILITY
		06 MOTOR-TUBE COMPATIBILITY (Ø)
		06 MOTORISATION
		07 ACRYLIC FABRIC CONFIGURATION
		07 PLASTIC FABRIC CONFIGURATION
		08 EMITTERS
		10 OPTIONS AND ACCESSORIES

DESCRIPTION

The AUREA LITE is a simple awning, ideal for areas sheltered from the wind. Its structure and minimalist design make it so discreet that it blends almost seamlessly into its surroundings.

TECHNICAL CHARACTERISTICS

- Retractable arm awning
- Chain-driven invisible arms
- Manual operation via 9:1 reduction gear and crank handle
- Front, ceiling or wall-to-wall installation
- System with independent brackets

DIMENSIONS

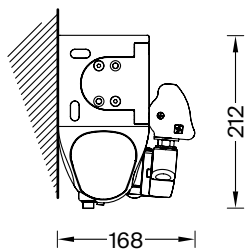
WIDTH	min. 2,00m - max. 5,00m
PROJECTION	min. 1,60m - max. 2,60m

MAIN MATERIALS

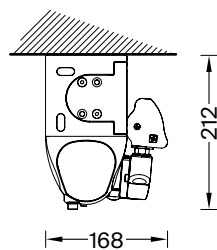
- Extruded aluminium profiles
- Cast aluminium brackets
- Stainless steel screws
- Acrylic fabric 300 g/m² or 360 g/m² (others available on request)
- Stainless steel arm chains

INSTALLATION

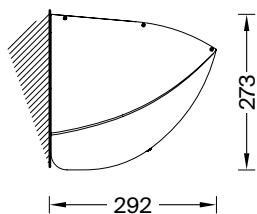
OPTIONS



Wall installation 0° - 90°



Ceiling installation
0° - 90°



Top Cover

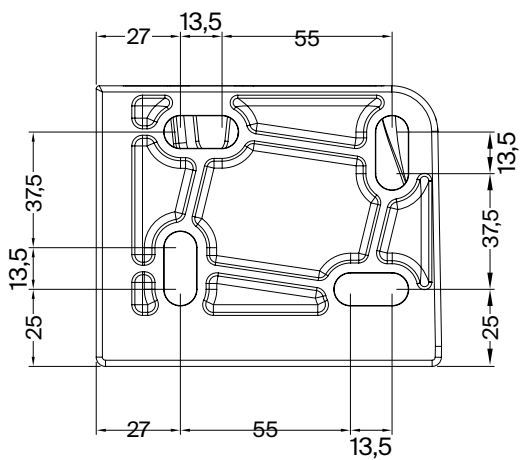
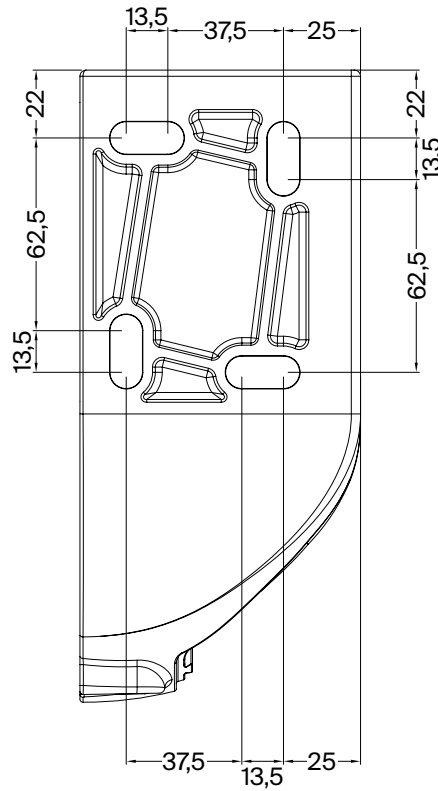
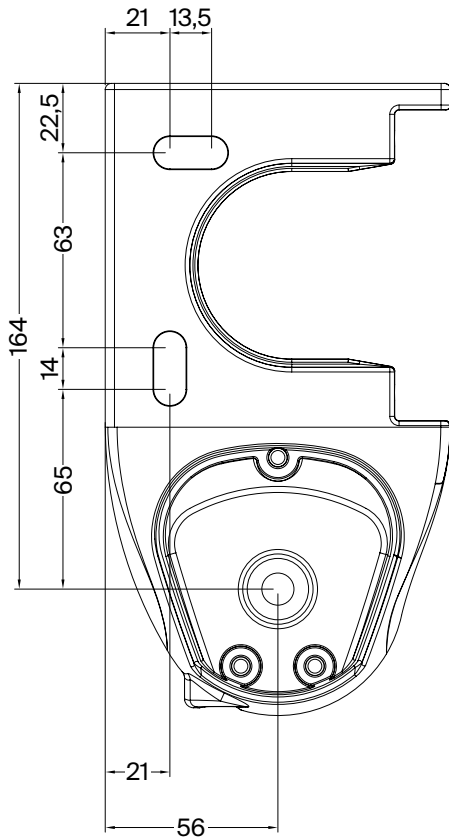
LIGHTING

ARMS	CASSETTE	SIDE LIDS
No	No	No

BRACKET

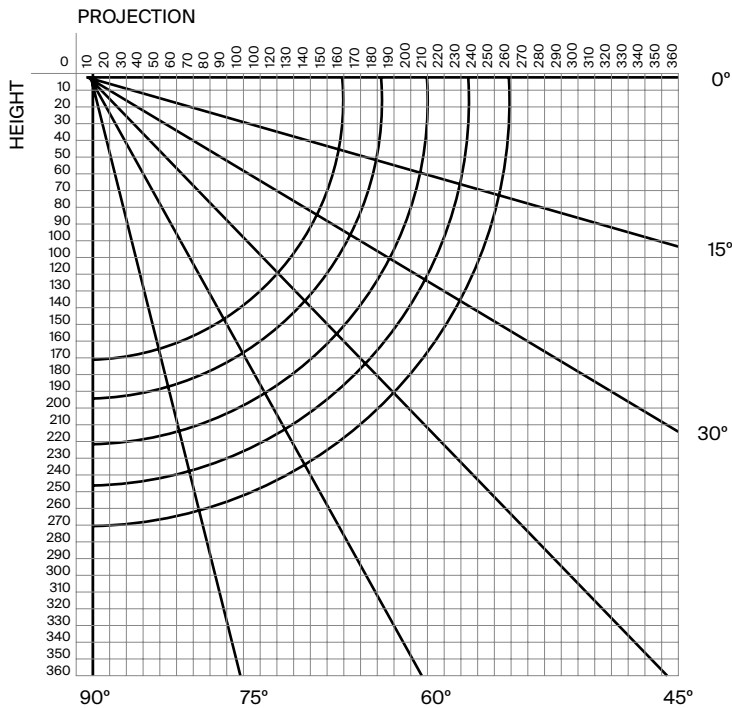
DIMENSIONS

Wall / ceiling support
Dimensions in mm



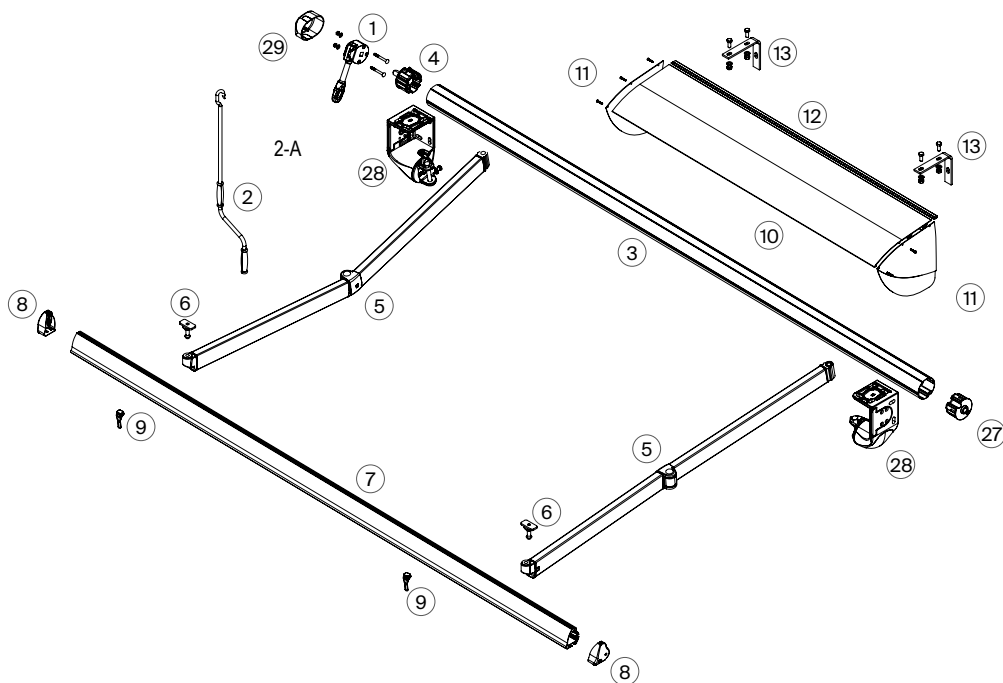
PROJECTION DIAGRAM

Wall / ceiling mounting



EXPLODED VIEW

- 1 Reducer mechanism
- 2 Crack handle
- 2-A Crack handle support
- 3 Roll bar
- 4 Bushing with square axle 13 x 35mm.
- 5 Arms with cable "LITE"
- 6 Sliders for arms
- 7 Front bar Ts
- 8 End caps for front bar
- 9 Arm-retraction sliders
- 10 Awning cover
- 11 End caps for awning cover
- 12 Rubber
- 13 Wall support for awning cover
- 27 Bushing with opening Ø14 mm
- 28 Complete support kit
- 29 Reducer mechanism cover 9:1



PRODUCT CLASSIFICATION



KNOWLEDGE SOURCES

The following data are available for the study:

- Geometry and materials of all the elements that make up the parasol
- Applicable specific regulations:

UNE-EN 1999-1-1 – Eurocode 9: Design of aluminium structures.

UNE-EN 13561: External blinds and awnings. Performance requirements including safety.

WIND CLASSIFICATION



CLASS	Grade Beaufort	Wind speed		Pressure	Environmental condition
1	0	0 - 1 km/h	0.0 - 0.3 m/s	0.05 N/m ²	Calm
	1	1 - 5 km/h	0.3 - 1.4 m/s	1.21 N/m ²	Very light breeze
	2	6 - 11 km/h	1.7 - 3.1 m/s	5.84 N/m ²	Light breeze
	3	12 - 19 km/h	3.4 - 5.3 m/s	17.41 N/m²	Gentle breeze
2	4	20 - 28 km/h	5.6 - 7.8 m/s	37.81 N/m ²	Moderate wind
3	5	29 - 38 km/h	8.1 - 10.6 m/s	69.64 N/m ²	Fresh wind

PRECIPITATION CLASSIFICATION



CLASS	Average intensity in one hour (mm/h)	Environmental condition
1	≤ 2	Weak
2	> 2 y ≤ 15	Moderate

WIND CLASSIFICATION

CLASS	WIDTH (m)						
PROJECTION (m)	2,00	2,50	3,00	3,50	4,00	4,50	5,00
1,60	1	1	1	1	1	1	1
1,85		1	1	1	1	1	1
2,10		1	1	1	1	1	1
2,35			1	1	1	1	1
2,60			1	1	1	1	1

MOTOR COMPATIBILITY

COMPATIBLE MOTOR	
Somfy Sunilus io	Simu ST Star

MOTOR-TUBE COMPATIBILITY (Ø)

MOTOR TORQUE (Nm)	MOTOR (mm)	TUBE (mm)
≤50	Ø50	Ø70 y Ø80
>50	Ø60	Ø80

MOTORISATION (Nm)

Motor Torque (Nm)	WIDTH (m)						
PROJECTION (m)	2,00	2,50	3,00	3,50	4,00	4,50	5,00
1,60	30	30	30	30	30	30	30
1,85		30	30	30	30	30	30
2,10		30	30	30	30	30	30
2,35			35	35	35	35	35
2,60			35	35	35	35	35

ACRYLIC FABRIC CONFIGURATION

PROJECTION (m)	WIDTH (m)						
	2,00	2,50	3,00	3,50	4,00	4,50	5,00
1,60	2/2/60*/ TS1	2/2/60*/ TS1	2/2/60*/ TS1	2/2/60*/ TS1	2/2/60*/ TS1	2/2/70/ TS1	2/2/70/ TS3
1,85		2/2/60*/ TS1	2/2/60*/ TS1	2/2/60*/ TS1	2/2/60*/ TS1	2/2/70/ TS1	2/2/70/ TS3
2,10		2/2/60*/ TS1	2/2/60*/ TS1	2/2/60*/ TS1	2/2/60*/ TS1	2/2/70/ TS1	2/2/70/ TS3
2,35			2/2/60*/ TS1	2/2/60*/ TS1	2/2/60*/ TS1	2/2/70/ TS1	2/2/70/ TS3
2,60			2/2/60*/ TS1	2/2/60*/ TS1	2/2/60*/ TS1	2/2/70/ TS1	2/2/70/ TS3

* Arms / Supports / Ø Roller Tube / Front Bar

* All Ø60 mm tubes must be replaced with Ø70 mm tubes when the awning includes motorisation.

PLASTIC FABRIC CONFIGURATION

PROJECTION (m)	WIDTH (m)						
	2,00	2,50	3,00	3,50	4,00	4,50	5,00
1,60	2/2/80/ TS1	2/2/80/ TS1	2/2/80/ TS1	2/2/80/ TS1	2/2/80/ TS1	2/2/80/ TS1	2/2/80/ TS3
1,85		2/2/80/ TS1	2/2/80/ TS1	2/2/80/ TS1	2/2/80/ TS1	2/2/80/ TS1	2/2/80/ TS3
2,10		2/2/80/ TS1	2/2/80/ TS1	2/2/80/ TS1	2/2/80/ TS1	2/2/80/ TS1	2/2/80/ TS3
2,35			2/2/80/ TS1	2/2/80/ TS1	2/2/80/ TS1	2/2/80/ TS1	2/2/80/ TS3
2,60			2/2/80/ TS1	2/2/80/ TS1	2/2/80/ TS1	2/2/80/ TS1	2/2/80/ TS3

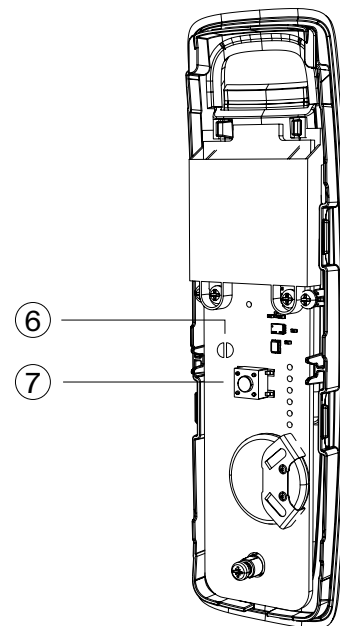
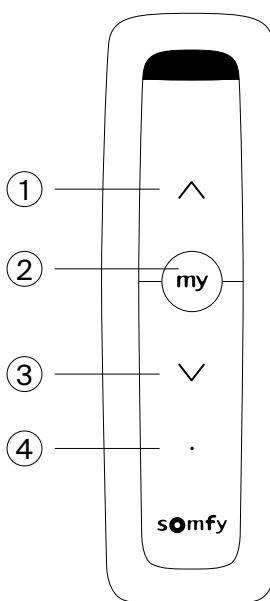
* Arms / Supports / Ø Roller Tube / Front Bar

EMITTERS

SOMFY SITUO 1

Frequency	IO 868 MHz
Gutters	1
Power supply	CR2032 3V
Operating range	50 m (20 m interior)
Protection rating	IP30
Dimensions	139 × 42 × 16 mm

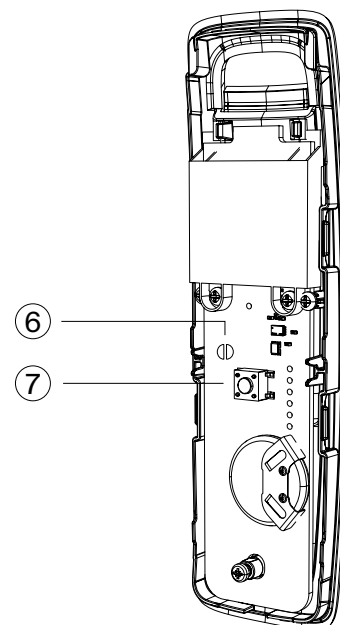
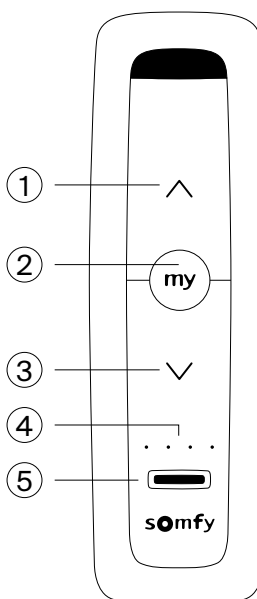
- ① Up/On/Open button
- ② STOP/my button
- ③ Down/Off/Close button
- ④ Button activation indicator light
- ⑥ PROG button
- ⑦ Specific autonomous mode selector



SOMFY SITUO 5

Frequency	IO 868 MHz
Gutters	5
Power supply	CR2430 3V
Operating range	50 m (20 m interior)
Protection rating	IP30
Dimensions	139 × 42 × 16 mm

- ① Up/On/Open button
- ② STOP/my button
- ③ Down/Off/Close button
- ④ Button activation and group selection indicator light
- ⑤ Group selector
- ⑥ PROG button
- ⑦ Specific autonomous mode selector

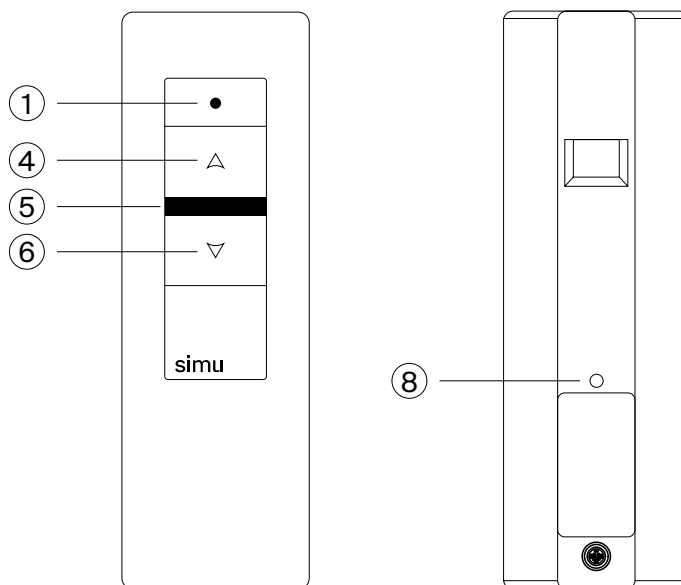


* Somfy transmitters are exclusively compatible with Somfy motors, and Simu transmitters exclusively with Simu motors.

SIMU MOBILE 1C

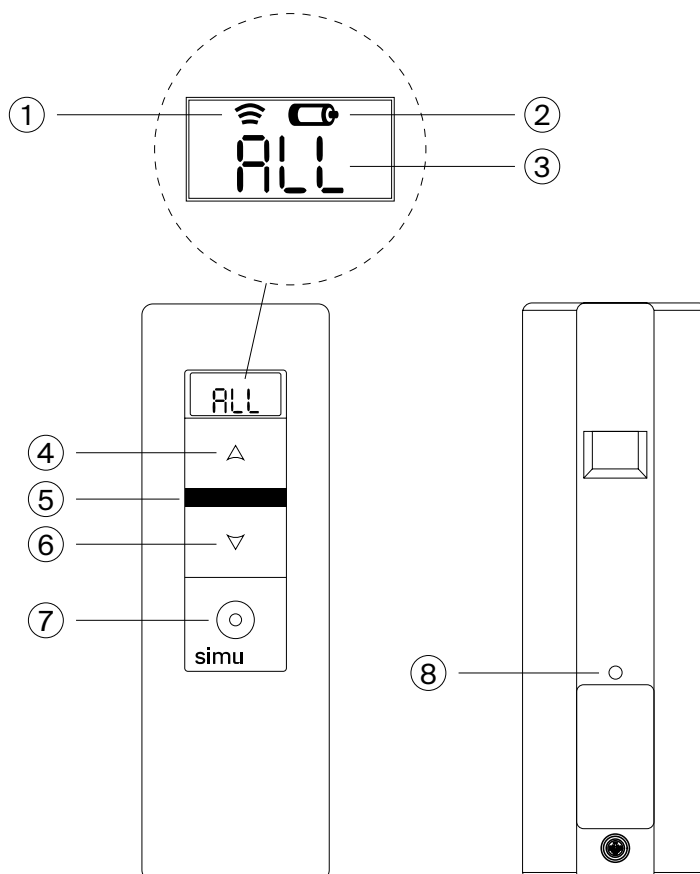
Frequency	433,42 MHz
Gutters	1
Power supply	CR2430 3V
Operating range	50 m (20 m interior)
Protection rating	IP30
Dimensions	125 x 40 x 15 mm

- ① Transmission indicator
- ④ UP control button
- ⑤ STOP / P.I. control button
- ⑥ DOWN control button
- ⑧ Programming button "PROG"

**SIMU MOBILE 5C**

Frequency	433,42 MHz
Gutters	5
Power supply	CR2430 3V
Operating range	50 m (20 m interior)
Protection rating	IP30
Dimensions	125 x 40 x 15 mm
Screen	Yes

- ① Transmission indicator
- ② Low battery indicator
- ③ Selected channel: 1, 2, 3, 4, 5 or All
- ④ UP control button
- ⑤ STOP / P.I. control button
- ⑥ DOWN control button
- ⑦ Selection button
- ⑧ Programming button "PROG"



OPTIONS AND ACCESSORIES

- Optional electric motor
- Remote control
- Climate sensors
- Adjustable valance
- Lighting
- Electric heaters
- Audio system
- Fabric protection profile
- Lighting valance



We believe in the *elegance* of engineering.